



JQX-13F

4Z:28 X 41.5 X 36



CQC 03001003500

R50016343 cULus E158859

Features

- Small size, light weight, heavy reverse power.
- Optional mounting ways.
- Firm structure, strong anti-shock & anti vibration.
- Suitable for automatic control, telecommunication equipment, household electrical appliances and machinery electrical facilities.

Ordering Information

JQX-13F 4Z a 1 L
 1 2 3 4 5 6

1 Part number: JQX-13F
 2 Contact arrangement: 4Z:4Z
 3 Terminal: a:inserting type; b:PCB type
 4 Coil rated voltage(V): AC: 220
 DC: 24
 5 Cover: 1:1Mode; 2:2 Mode
 6 Coil transient suppression: L:with LED;
 D:with diode;
 LD:with LED & diode
 NIL:standard

Contact Data

Contact Material	AgCdO AgSnO ₂	
Contact Arrangement	4Z (4PDT(B-M))	
Contact Rating (resistive)	Contact Current	10A
	Contact voltage	
	Coil Power	DC 1.5W AC 2.5VA
Max. Switching Voltage	30VDC 300VAC	Max. Switching Current:20A
Max. Resistance or Voltage drop	≤50mΩ	item 3.12 of IEC255-7
Operational life	Electrical	10 ⁵ item 3.30 of IEC255-7
	Mechanical	2 × 10 ⁷ item 3.31 of IEC255-7

Coil Parameter (DC)

Dash numbers	Coil voltage V		Coil resistance Ω ±10%	Pick up voltage V(max) (80%of rated voltage)	Release voltage V(min) (10%of rated voltage)	Coil power W	Operate Time ms	Release Time ms
	Rated	Max.						
006-900	6	6.6	40	4.8	0.6	0.9	<25	<25
012-900	12	13.2	160	9.6	1.2			
024-900	24	26.4	640/650	19.2	2.4			
036-900	36	39.6	1440	28.8	3.6			
048-900	48	52.8	2560	38.4	4.8			
110-900	110	121	13444	88.0	11.0			
220-900	220	242	53778	176	22.0			
012-1400	12	13.2	107	9.6	1.2	1.4	<25	<25
024-1400	24	26.4	410	19.2	2.4			
036-1400	36	39.6	926	28.8	3.6			
048-1400	48	52.8	1700	38.4	4.8			
110-1400	110	121	8500	88.0	11.0			
220-1400	220	242	34571	176	22.0			
012-1500	12	13.2	100	9.6	1.2	1.5	<25	<25
024-1500	24	26.4	350	19.2	2.4			
036-1500	36	39.6	865	28.8	3.6			
048-1500	48	52.8	1600	38.4	4.8			
110-1500	110	121	6900	88.0	11.0			
220-1500	220	242	32267	176	22.0			

Coil Parameter (AC)

Dash numbers	Coil voltage V		Coil resistance Ω ±10%	Rated current mA	Pick up voltage V(max) (80%of rated voltage)	Release voltage V(min) (30%of rated voltage)	Coil power VA
	Rated	Max.					
006AC-1200	6	6.6	11.5	183.0	4.8	1.8	1.2
012AC-1200	12	13.2	46	91.0	9.6	3.6	
024AC-1200	24	26.4	184	46.0	19.2	7.2	
036AC-1200	36	39.6	320	33.0	28.8	10.8	
048AC-1200	48	52.8	735	24.0	38.4	14.4	
110AC-1200	110	121	3900	11.0	88.0	33.0	
120AC-1200	120	132	4550	9.8	96.0	36.0	
220AC-1200	220	242	14400	4.2	176	66.0	
240AC-1200	240	312	15210	5.5	192	72.0	
012AC-2000	12	13.2	24	167	9.6	3.6	
024AC-2000	24	26.4	100	83	19.2	7.2	
036AC-2000	36	39.6	230	56	28.8	10.8	
048AC-2000	48	52.8	410	42	38.4	14.4	
110AC-2000	110	121	2300	18	88.0	33.0	
220AC-2000	220	242	8600	9.1	176	66.0	
240AC-2000	240	312	12100	6.2	192	72.0	
012AC-2500	12	13.2	20	208	9.6	3.6	2.5
024AC-2500	24	26.4	78	104	19.2	7.2	
036AC-2500	36	39.6	180	69	28.8	10.8	
048AC-2500	48	52.8	350	52.1	38.4	14.4	
110AC-2500	110	121	1600	22.7	88.0	33.0	
220AC-2500	220	242	6700	11.4	176	66.0	
240AC-2500	240	312	9120	9.8	192	72.0	

CAUTION: 1.The use of any coil voltage less than the rated coil voltage will compromise the operation of the relay.
 2.Pickup and release voltage are for test purposes only and are not to be used as design criteria.

Operation condition

Insulation Resistance ¹⁾	1000MΩ min (at 500VDC)	Item 7 of IEC255-5
Dielectric Strength ¹⁾ Between contacts Between contact and coil	50Hz 1000V 50Hz 1500V	Item 6 of IEC255-5 Item 6 of IEC255-5
Shock resistance	100m/s ² 11ms	IEC68-2-27 Test Ea
Vibration resistance	10~55Hz double amplitude 1.5mm	IEC68-2-6 Test Fc
Terminals strength	8N 4N(PC type)	IEC68-2-21 Test Ua2
Solderability	235℃ ± 2℃ 3 ± 0.5s	IEC68-2-20 Test Ta method 1
Ambient Temperature	-40~70℃; -25~70℃(3C,4C)	
Relative Humidity	85% (at 30℃)	IEC68-2-3Test Ca
Mass	37g(1C,2C);50g(3C);70g(4C)	

Note: 1). When testing, coil terminals should be connected, if LED is installed in relay.

Qualification inspection:

Perform the qualification test as specified in the table IV of IEC255-19-1 and minimum sample size 24.

Safety approvals

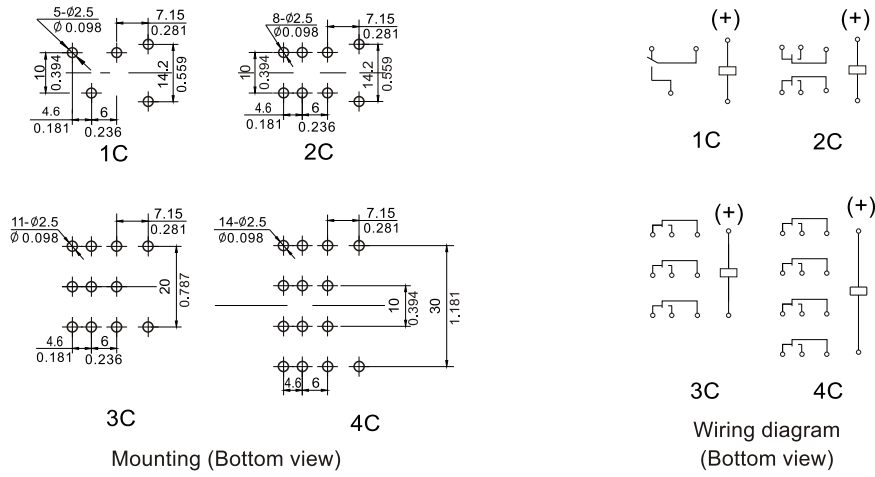
Safety approval	UL&CUR	TÜV	CQC
Load	10A/277VAC 12A/250VAC,28VDC ½HP 125VAC	10A/277VAC,28VDC	10A/220VAC

CAUTION-N: 1.The use of any coil voltage less than the rated coil voltage will compromise the operation of the relay.
 2.Pickup and release voltage are for test purposes only and are not to be used as design criteria.

Dimensions

mm /inch

Leading end shape diagram
Dimensions



NOTES 1).Dimensions are in millimeters.
2).Inch equivalents are given for general information only.

Reference Data

